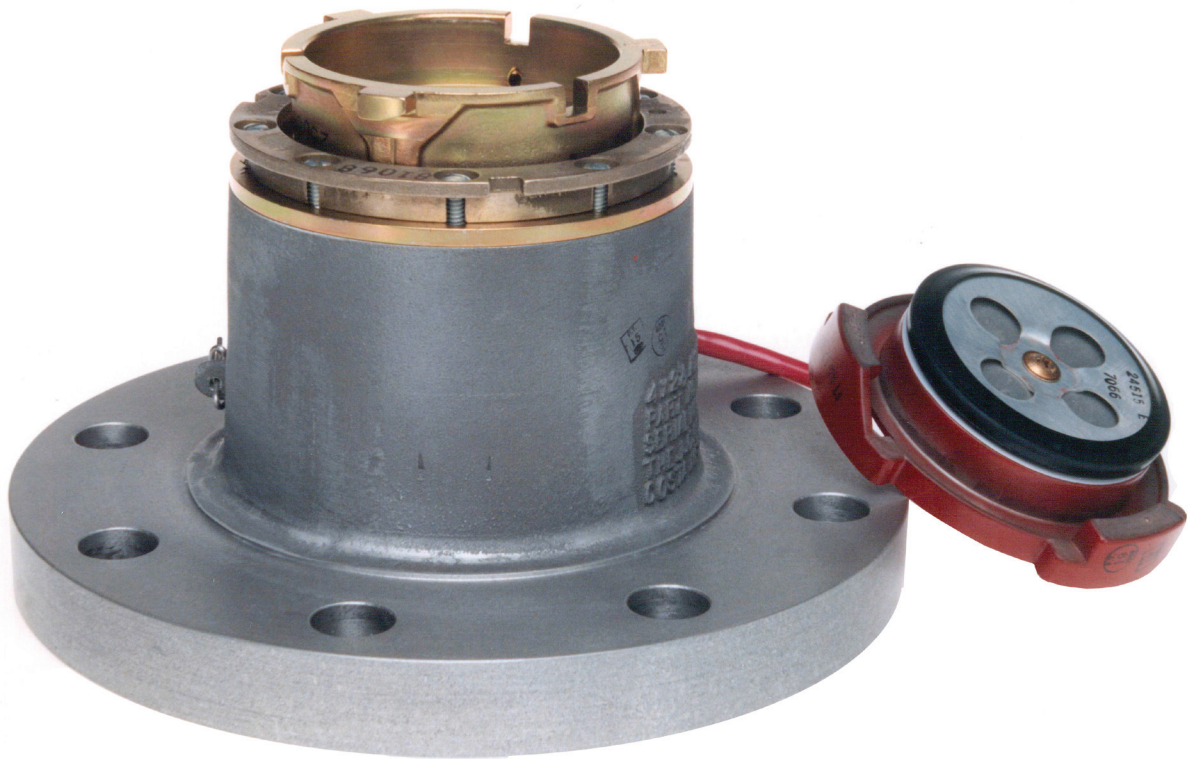


Carter®
Bottom Loading Adapters



EATON

Powering Business Worldwide

Design Concepts

Model 6958	Model 61272	Model 61528	Model 64040
Model 60195	Model 61409	Model 61529	Model 64373
Model 60373	Model 61527	Model 61531	

Eaton's Carter 2½-inch aircraft standard bayonet refueling adapters mate underwing nozzles or 2½-inch hydrant couplers, with several choices of flanged or threaded inlets. The bayonet adapter is also available as a stand-alone module, without a housing — see details in "Ordering Data" section on page 4. These adapters are designed to be used for bottom loading of a refueler, for connection to a hydrant system or tank farm pumping system for test adapters, or for use in a recirculation test system on refuelers. Choose the correct adapter for the application.

There are two basic methods of manufacturing the standard aircraft bayonet adapter module:

- The older MS29514 style aircraft adapter flange utilizes a nine hole mounting pad, built in separate pieces instead of a self contained module. It is taller (between the mounting flange and the bayonet lugs) and is therefore stronger. This type of flange is suitable for product selection and, being stronger, is suited for hydrant applications.

- The newer MS24484 style aircraft adapter is a self-contained module that uses a six bolt mounting pad for countersunk screws. As a consequence, the mating connection is not as strong as the MS29514 type. The construction and the height between the mounting flange and the bayonet lugs is shorter. Product selection is not feasible for use on this type of flange. The lower joint strength also makes it non-suitable for hydrant applications. It is quite suitable for bottom loading and recirculation applications.
- The MS24484 type adapter module is available as either the military QPL (Qualified Products List) as MS24484-5 or the older MS24484-2. The MS24484-5 is qualified to be used at higher and lower temperatures and has a higher strength bayonet flange. The MS24484-2 is suitable for most commercial applications. The MS24484-5 is only available from those companies listed on the QPL. Although Model 61529 is made in accordance with MS24484-2 requirements,

it is not sold as an airworthy unit and should not be utilized on an aircraft application.

Eaton offers a choice of outlet flanges made to mate ANSI 150 flanges or TTMA flanges for the three and four inch styles. The 2½-inch outlet styles are available only in threaded connections, either NPT or BSPP. The ANSI type flanged units are more suited for hydrant applications (along with the MS29514) while the TTMA units are suited for bottom loading or recirculation systems. The 2½-inch units are (by choosing the correct unit) usable in either application.

A choice of either a plastic dust cap or a metal military style sealing cap is also offered as an option on all adapters except Model 61529 aircraft adapter. The metal sealing cap is available as Model 61531. This cap, although made in accordance with MS29526-2, is not a QPL item and is not qualified for use on an aircraft.

Features

- Available with 3-inch and 4-inch 150 lb. ANSI or TTMA inlet flanges or 2½-inch NPT or BSPP threaded inlets
- Military QPL MS24484-5 adapter available as an option
- Units for use with product selection available
- Plastic or military metal sealing caps available
- Convenient bosses to mount pressure gauges or sampling ports standard on many models
- Low cost MS24484-2 modular unit available
- Pressure equalization valve offered in poppet for hydrant applications



Model 6958
Fueling Adapter



Model 61272
Bottom Loading Adapter



Model 61531
Military Style Sealing Cap



Model 61529
Aircraft Adapter

The various models offered are available with the options shown in the tables below.

Model 64373

3-inch 125/150 lb ANSI flat-faced flange x 2½-inch bayonet

Product selection positions 4-6 available

Weight 5.8 lbs (2.631 kg)

Option	Description	Comments	Weight	
			lb	kg
*A	Adds product selection (4,5,6)	In Lieu of option F	+0.4	.181
*B	Adds pressure relief valve	In lieu of option E	+0.0	
C	Adds pressure cap	In lieu of option D	+0.5	.227
D	Adds plastic cap	In lieu of option C	+0.1	.045
*E	Adds standard poppet (no relief valve)	In lieu of option B	+0.0	
*F	No product selection	In lieu of option A (for bottom loading application use Model 61409)	+0.0	

* Options A or F & B or E must be specified to achieve a completed part number

Model 64040

3-inch ANSI flange x 2½-inch bayonet

No product selection —

Use for bottom loading only

Option	Description	Comments	Weight	
			lb	kg
A	Adds pressure dust cap	In lieu of Option B	+0.5	.227
B	Adds plastic dust cap	In lieu of Option A	+0.1	.045

Model 61528

3-inch TTMA flange x 2½-inch bayonet

No product selection —

Use for bottom loading only

Weight 3.3 lbs (1.497 kg)

Option	Description	Comments	Weight	
			lb	kg
A	Adds pressure dust cap	In lieu of Option B	+0.5	.227
B	Adds plastic dust cap	In lieu of Option A	+0.1	.045
*C	Commercial MS24484-2 adapter	In lieu of Option D	+0.0	0.0
*D	Mil-Spec MS24484-5 adapter	In lieu of Option C	+0.0	0.0

* Options "C" or "D" must be specified to achieve a completed part number

Model 6958

2½-inch outlet x 2½-inch bayonet

No product selection —

Use for bottom loading or recirculation only

Weight 2.9 lbs (1.315 kg)

Option	Description	Comments	Weight	
			lb	kg
A	Adds pressure dust cap	In lieu of Option B	+0.5	.227
B	Adds plastic dust cap	In lieu of Option A	+0.1	.045
*C	Commercial MS24484-2 adapter	In lieu of Option D	+0.0	0.0
*D	Mil-Spec MS24484-5 adapter	In lieu of Option C	+0.0	0.0
*G	Adds 2½-inch - 8 NPT female outlet	In lieu of Option H	+0.0	0.0
*H	Adds 2½-inch BSPP female Outlet	In lieu of Option G	+0.0	0.0

* Options C or D & G or H must be specified to achieve a completed part number

Model 60195

2½-inch outlet x 2½-inch bayonet

Product selection —

Positions 4-6 standard

Weight 3.3 lbs (1.497 kg)

Option	Description	Comments	Weight	
			lb	kg
A	Deletes product selection		-0.4	.181
B	Adds pressure relief valve	In lieu of Option F	+0.0	0.0
*C	Adds pressure cap	In lieu of Option J	+0.5	.227
*D	Adds standard poppet (no relief valve)	In lieu of Option B	+0.0	0.0
*G	Adds 2½ inch — 8 NPT female outlet	In lieu of Option H	+0.0	0.0
*H	Adds plastic cap	In lieu of Option E	+0.1	.045

* Options B or F & G or H must be specified to achieve a completed part number

Ordering Data

Model 61247

Modular fueling adapter in accordance with MS24484-5

Option	Description	Comments	Weight	
			lb	kg
61247	Modular adapter — MS24484-5	Qualified military unit	0.9	.408

Model 61529

Modular fueling adapter in accordance with MS24484-2

Use for bottom loading only

Not for airplane use

Weight 0.9 lb (.408 kg)

Option	Description	Comments	Weight	
			lb	kg
A	Adds pressure dust cap	In lieu of Option B	+0.5	.227
B	Adds plastic dust cap	In lieu of Option A	+0.1	.045
C	Adds mounting flange O-ring and screws			
Z	Adds mounting flange O-ring		+0.0	0.0

Model 61531

Pressure cap in accordance with MS29526-2

Option	Description	Comments	Weight	
			lb	kg
61531	Pressure dust cap — MS29526-2	Not for airplane use	0.5	.227

Model 60373

4 inch 125/150 lb. ANSI flat-faced flange x 2 ½-inch bayonet

Product selection —

Positions 4-6 available

Weight 7.4 lbs (3.356 kg)

Option	Description	Comments	Weight	
			lb	kg
*A	Adds product selection (positions 4, 5 & 6)	In lieu of Option F	+0.4	.181
*B	Adds pressure relief Valve	In lieu of Option E	+0.0	0.0
C	Adds pressure cap	In lieu of Option D	+0.5	.227
D	Adds plastic cap	In lieu of Option C	+0.1	.045
*E	Adds standard poppet (no relief valve)	In lieu of Option B	+0.0	0.0
*F	No product selection	In lieu of Option A	+0.0	0.0

* Options A or F & B or E must be specified to achieve a completed part number

Model 61409

4 inch 150 lb. ANSI flat-faced flange x 2-½ inch bayonet

No product selection –

Use for bottom loading only

Weight 6.9 lbs (3.133 kg)

Option	Description	Comments	Weight	
			lb	kg
A	Adds pressure dust cap	In lieu of Option B	+0.5	.227
B	Adds plastic dust cap	In lieu of Option A	+0.1	.045
*C	Commercial MS24484-2 adapter	In lieu of Option D	+0.0	0.0
*D	Mil-Spec MS24484-5 adapter	In lieu of Option C	+0.0	0.0

* Options C or D must be specified to achieve a completed part number

Model 61272

4 inch TTMA flange x 2-½ inch bayonet

No product selection —

Use for bottom loading only

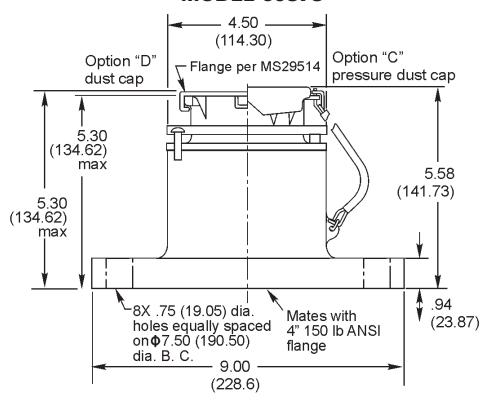
Weight 3.6 lbs (1.633 kg)

Option	Description	Comments	Weight	
			lb	kg
A	Adds pressure dust cap	In lieu of Option B	+0.5	.227
B	Adds plastic dust cap	In lieu of Option A	+0.1	.045
*C	Commercial MS24484-2 adapter	In lieu of Option D	+0.0	0.0
*D	Mil-spec MS24484-5 adapter	In lieu of Option C	+0.0	0.0

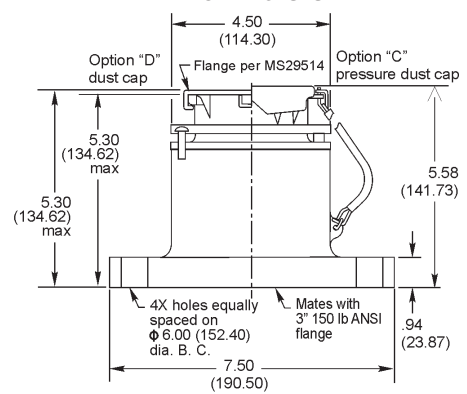
* Options C or D must be specified to achieve a completed part number

Dimensions shown in inches
(millimeters)

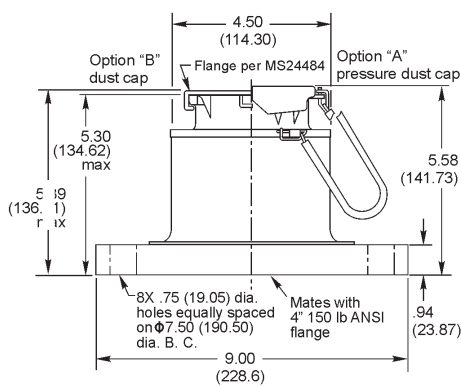
MODEL 60373



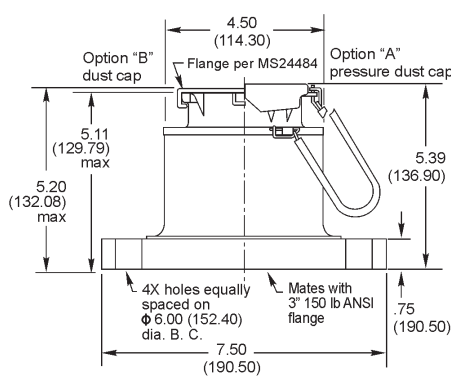
MODEL 64373



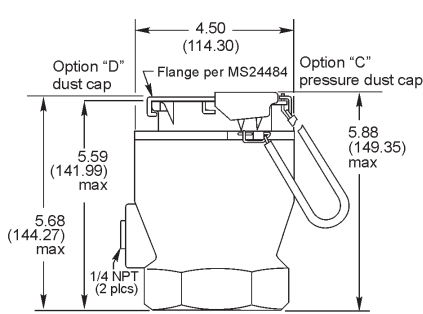
MODEL 61409



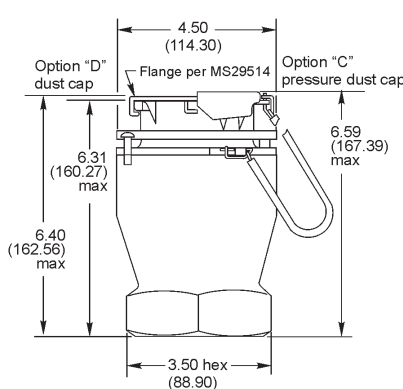
MODEL 64040



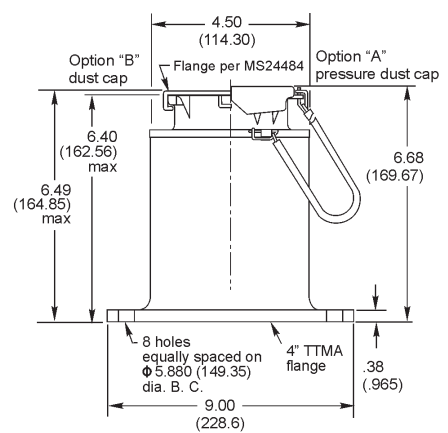
MODEL 6958



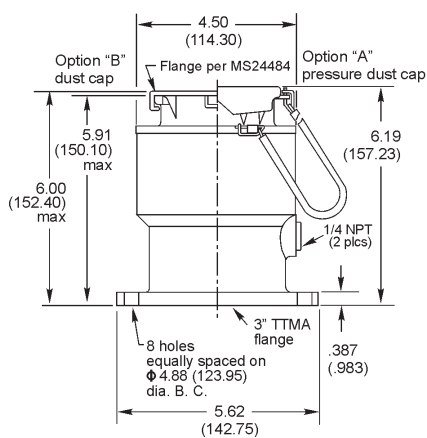
MODEL 60195



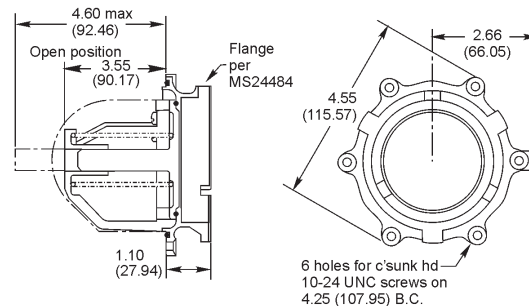
MODEL 61272



MODEL 61528



MODEL 61529



Eaton
Aerospace Group
Fluid & Electrical Distribution Division
9650 Jeronimo Road
Irvine, California 92618
Phone: (949) 452 9500
Fax: (949) 452 9992
E-mail: groundfueling@eaton.com

Eaton
Aerospace Group
9650 Jeronimo Road
Irvine, California 92618
Phone: (949) 452 9500
Fax: (949) 452 9555
www.eaton.com/aerospace

Copyright © 2013 Eaton
All Rights Reserved
Form No. TF100-77F
May 2013